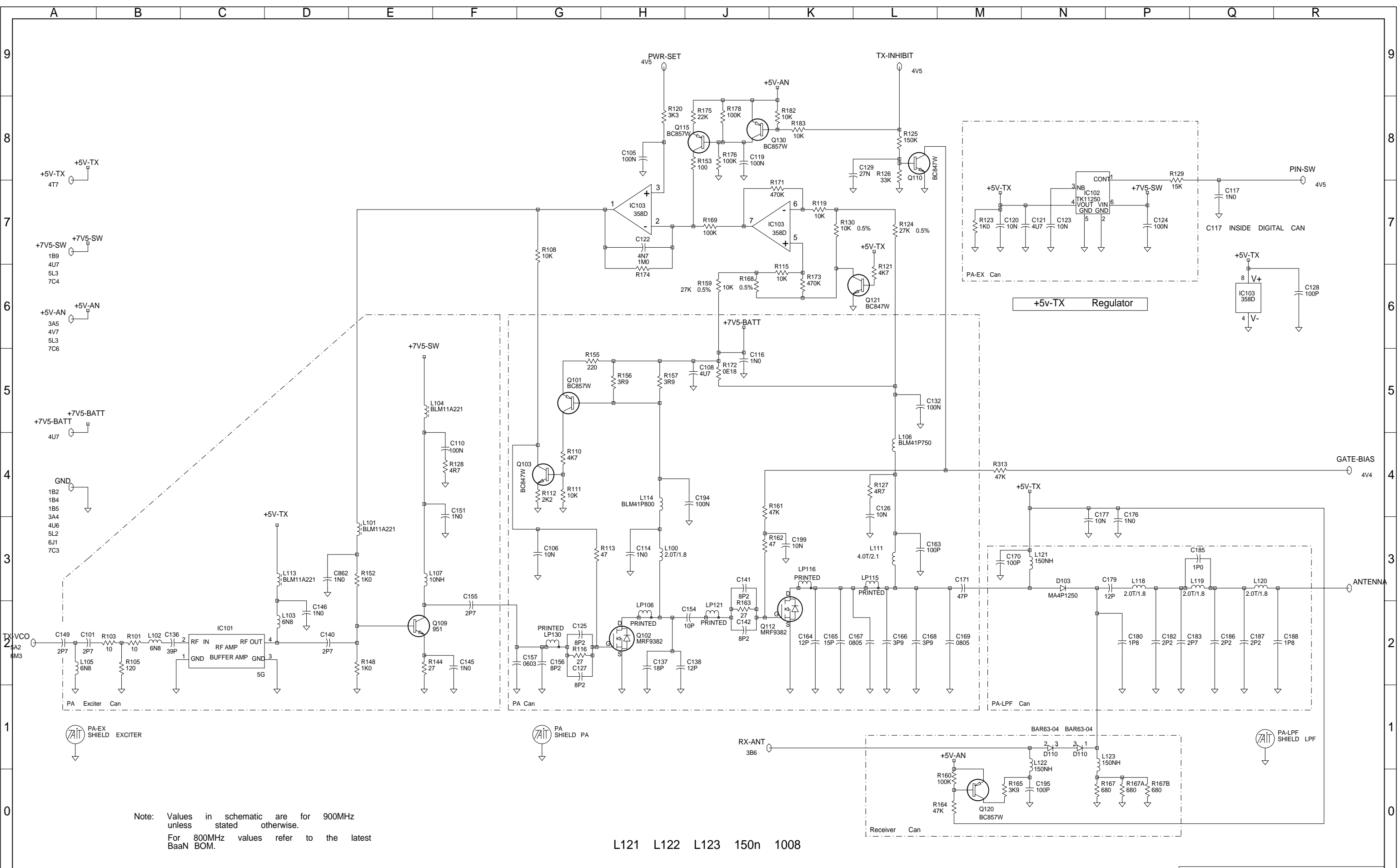


03C	REGENERATED PLA CCO. 1610-006	BRD	SP	CK	DW	29-11-99
03B	VALUE CHANGES CCO. 1610-005	BRD	SP	CK	DW	02/11/99
03A	CCN NO.1610/003	BRD				13/10-99
02D	REGENERATE PLC & PLA FILES CCN No.1610-002	TS				05-10-99
02C	4 SP.PINS NOW SMD. SEALS NONSMD CCN No.1610-001	TS				17-09-99
02B	REFRESHED SAFC957/860 & 0E18U	BRD				02/07/99
REV/ISS	AMENDMENTS	DRAWN	CHKD	D.O.	APVD	DATE

04A	CCO NO. 1610-008	BRD				08-12-00
-----	------------------	-----	--	--	--	----------



© TAIT ELECTRONICS
 ORCA TOP:800/900MHZ SYSTEM DIAGRAM
 IPN: 220-01610-04 ISSUE: A ID: 2.S.C. 1
 PROJECT: ORCA BRD 161004a DESIGNER: FILE NAME: 161004a DATE: 8-Dec-00 NO.SHEETS: 7

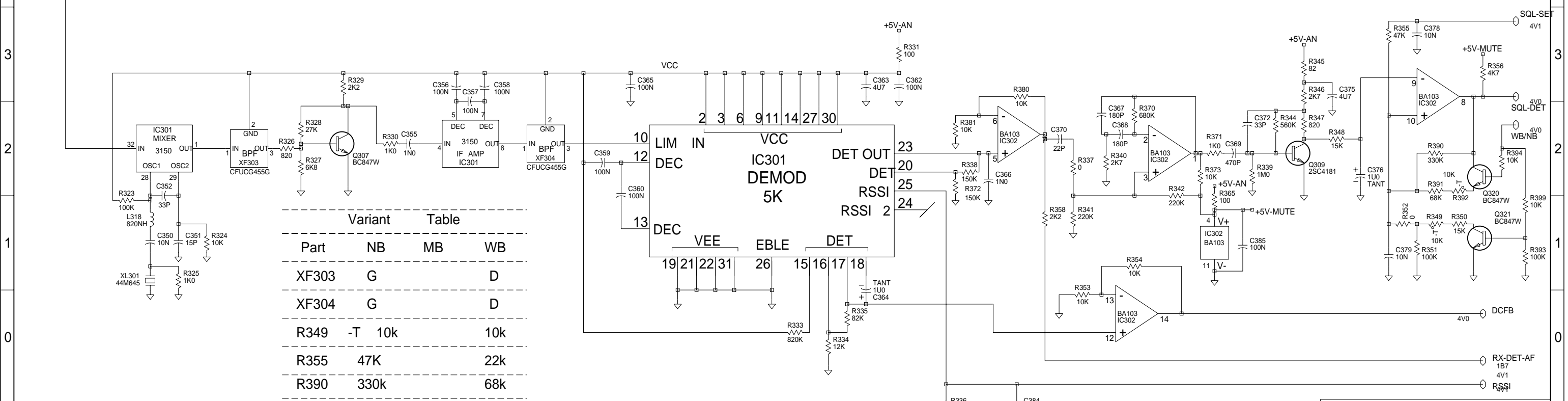
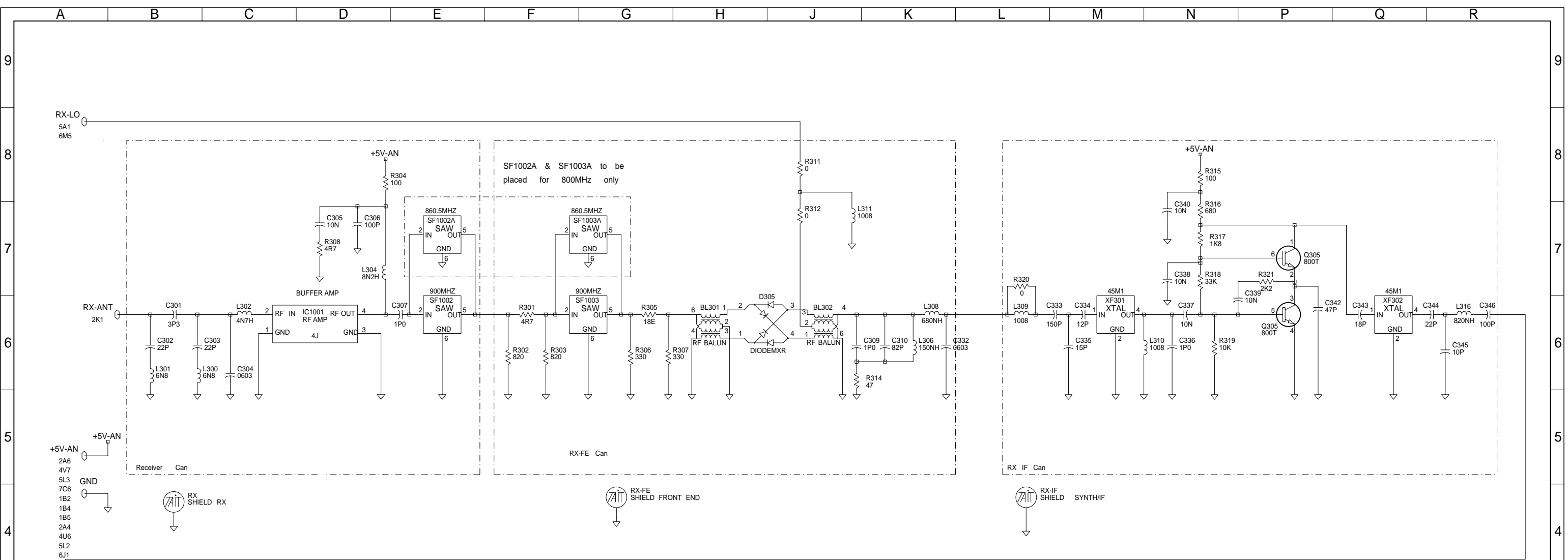


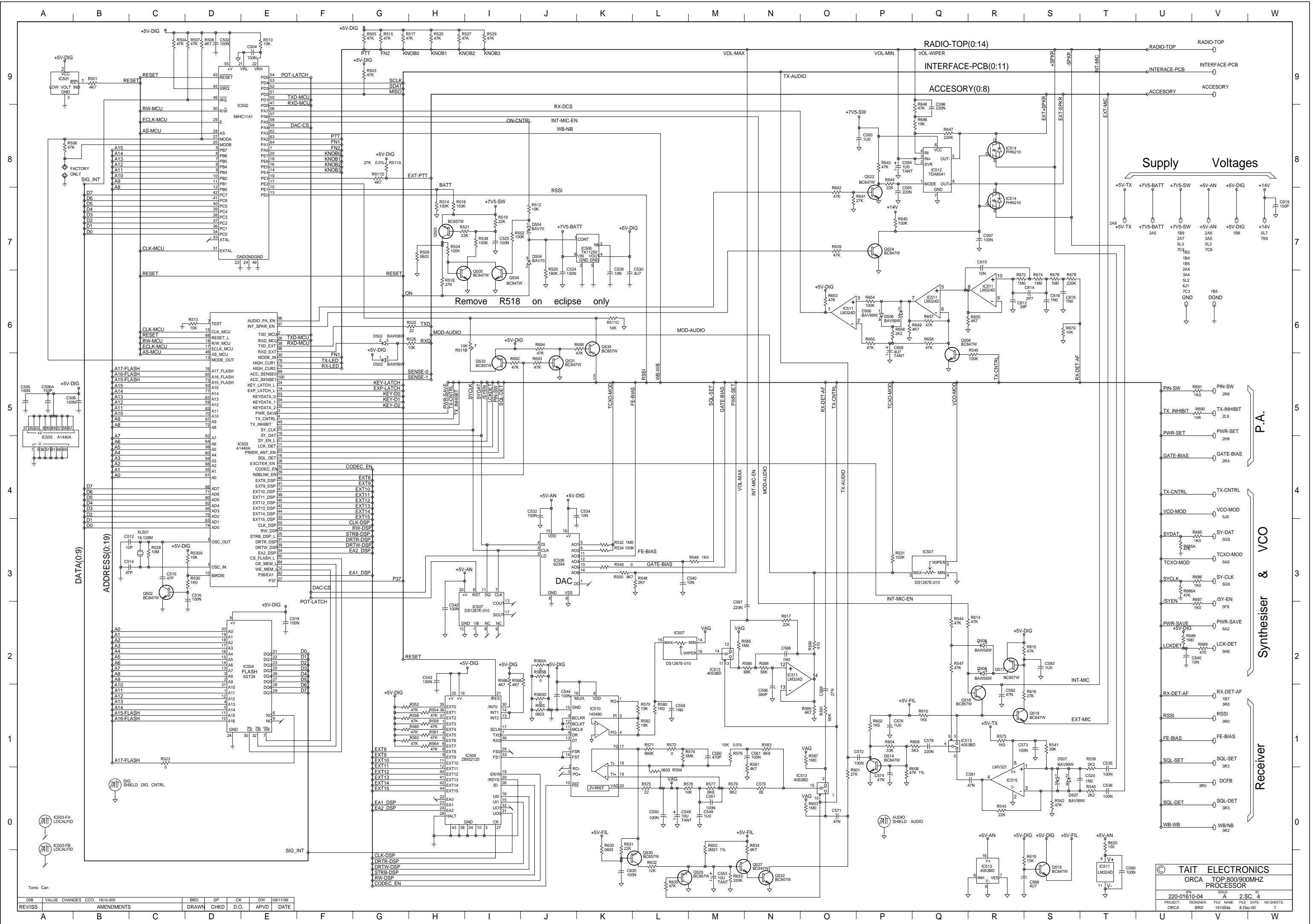
Note: Values in schematic are for 900MHz unless stated otherwise.
 For 800MHz values refer to the latest BaaN BOM.

L121 L122 L123 150n 1008

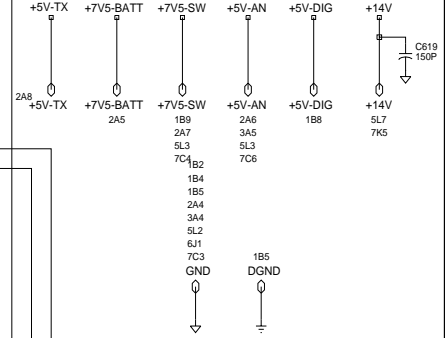
03B	VALUE CHANGES	CCO. 1610-005	BRD	SP	CK	DW	02/11/99
REV/ISS	AMENDMENTS		DRAWN	CHKD	D.O.	APVD	DATE

© TAIT ELECTRONICS
 ORCA TOP:800/900MHZ POWER AMPLIFIER
 IPN: 220-01610-04 ISSUE: A ID: 2.S.C. 2
 PROJECT: ORCA BRD 161004a DESIGNER: FILE NAME: 8-Dec-00 FILE DATE: NO.SHEETS: 7

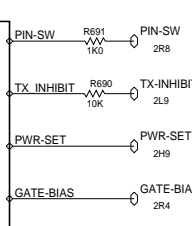




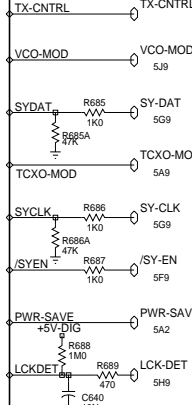
Supply Voltages



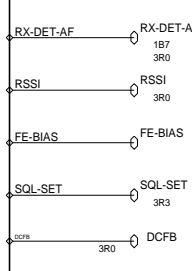
P.A.



Synthesiser & VCO

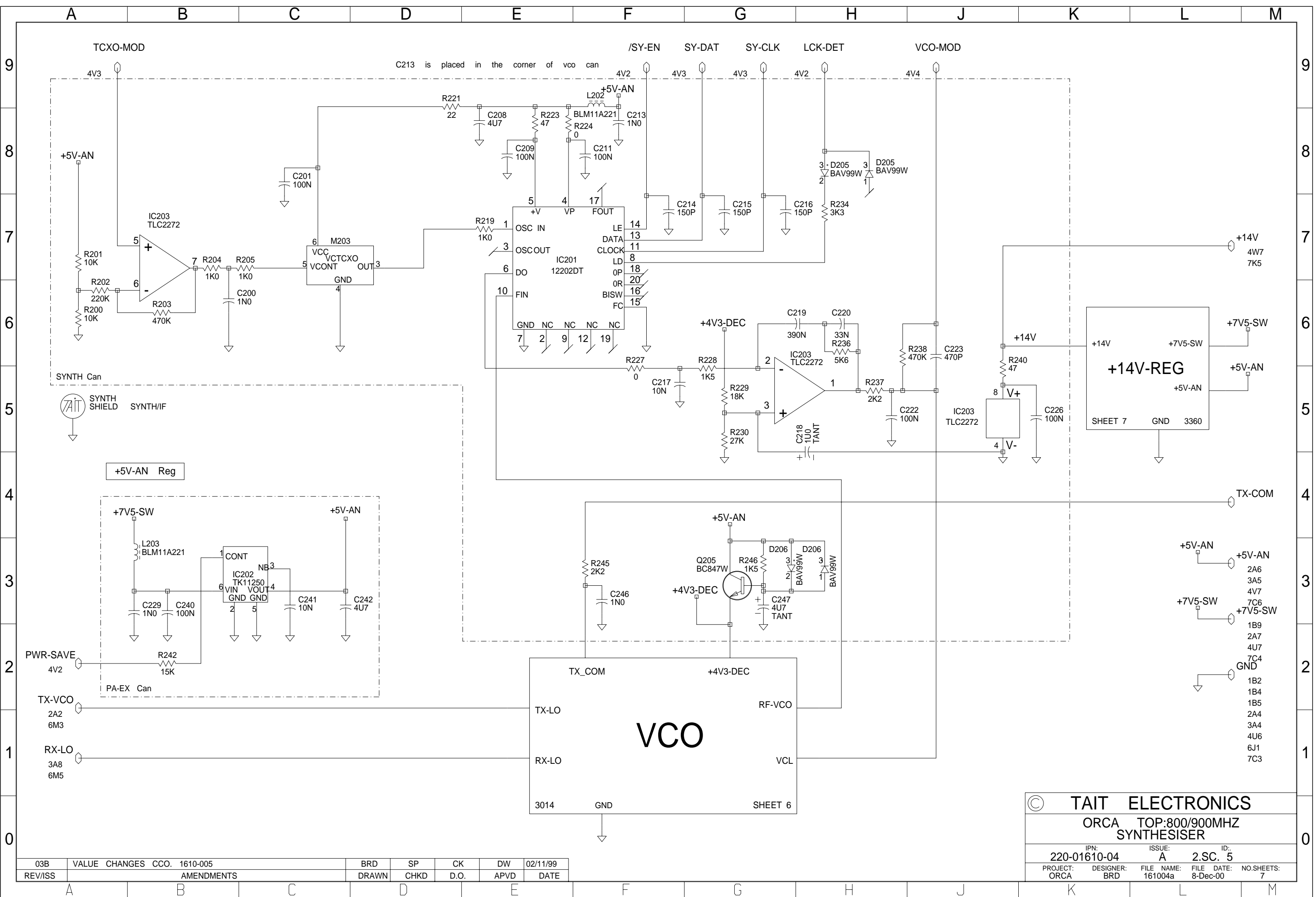


Receiver



© TAIT ELECTRONICS
 ORCA TOP:800/900MHZ
 PROCESSOR
 220-01610-04 2-SC-4
 PROJECT: ORCA BRD 161004a 8-DIG-00 NO SHEETS 7

03B	VALUE CHANGES	CCO	1610-005	BRD	SP	CK	DW	09/11/99
REV/ISS	AMENDMENTS			DRAWN	CHKD	D.O.	APVD	DATE



C213 is placed in the corner of vco can

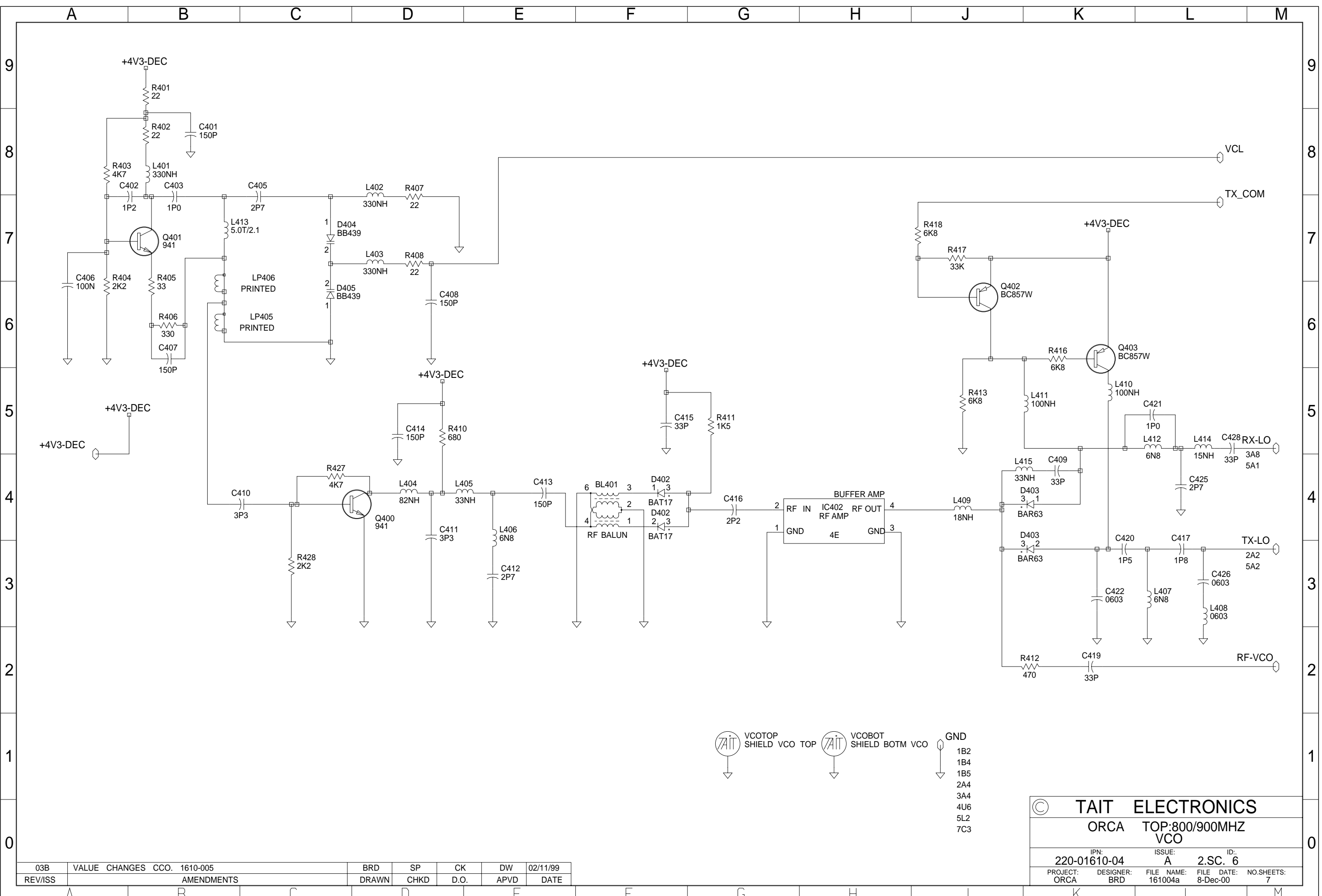
+14V-REG
SHEET 7
GND 3360

VCO
SHEET 6
GND 3014

© TAIT ELECTRONICS				
ORCA TOP:800/900MHZ SYNTHESIZER				
IPN:	ISSUE:	ID:		
220-01610-04	A	2.SC. 5		
PROJECT:	DESIGNER:	FILE NAME:	FILE DATE:	NO.SHEETS:
ORCA	BRD	161004a	8-Dec-00	7

03B	VALUE CHANGES CCO. 1610-005	BRD	SP	CK	DW	02/11/99
REV/ISS	AMENDMENTS	DRAWN	CHKD	D.O.	APVD	DATE

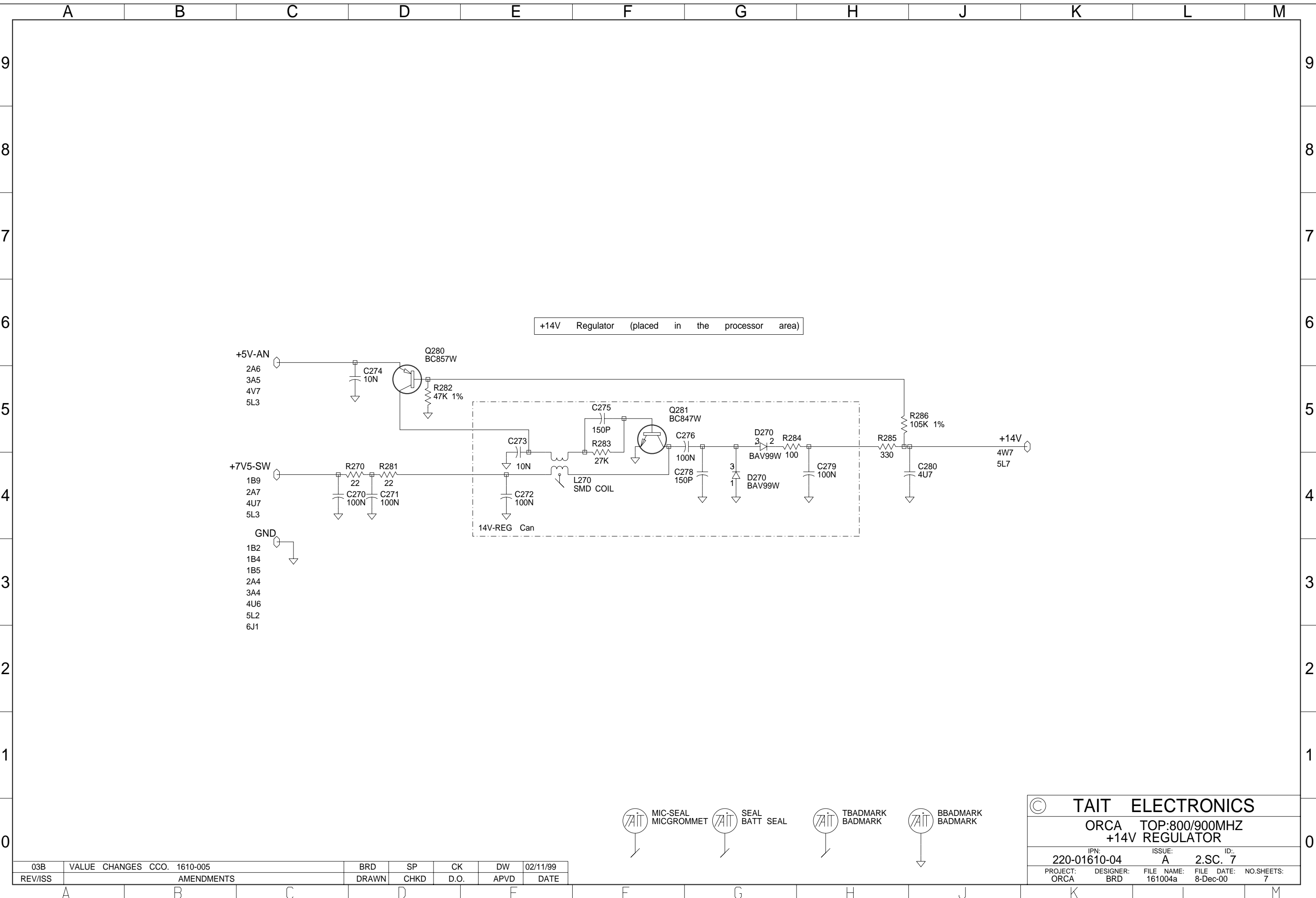
- +5V-AN 2A6
- +5V-AN 3A5
- +5V-AN 4V7
- +7V5-SW 7C6
- +7V5-SW 1B9
- +7V5-SW 2A7
- +7V5-SW 4U7
- +7V5-SW 7C4
- GND 1B2
- GND 1B4
- GND 1B5
- GND 2A4
- GND 3A4
- GND 4U6
- GND 6J1
- GND 7C3



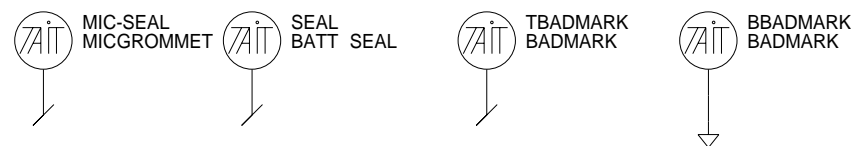
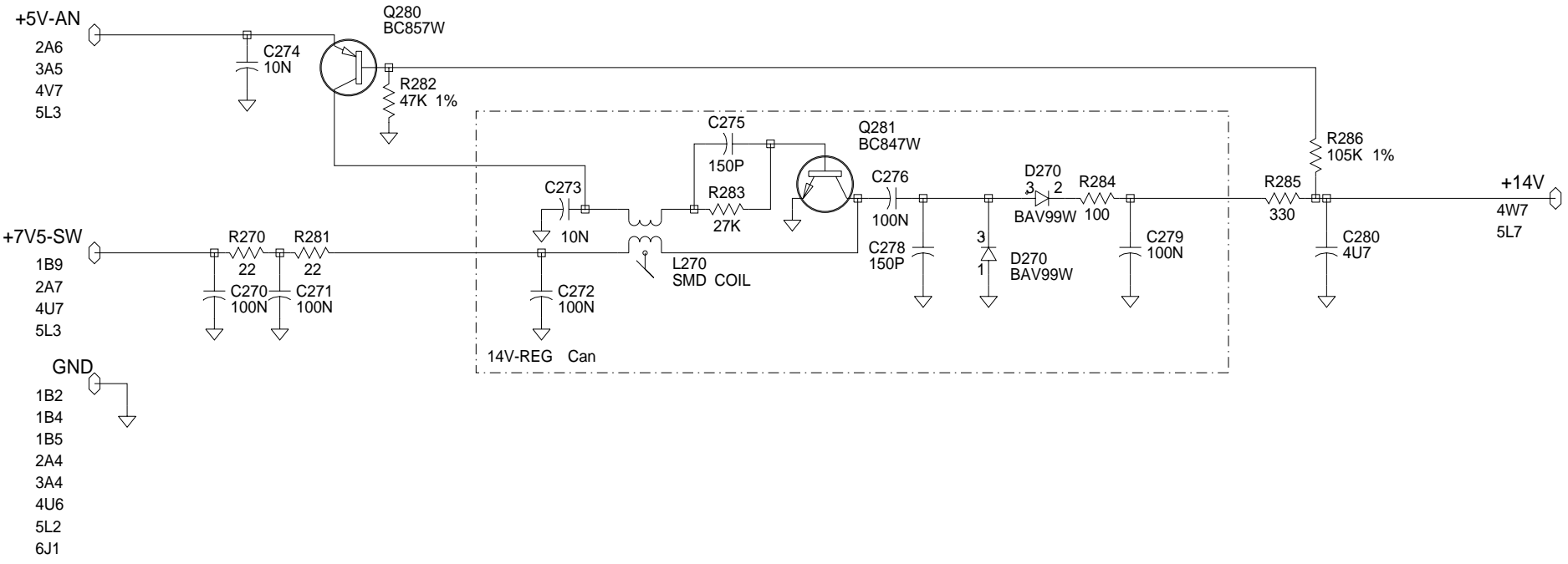
03B	VALUE CHANGES CCO. 1610-005	BRD	SP	CK	DW	02/11/99
REV/ISS	AMENDMENTS	DRAWN	CHKD	D.O.	APVD	DATE

© TAIT ELECTRONICS
 ORCA TOP:800/900MHZ VCO
 IPN: 220-01610-04 ISSUE: A ID: 2.SC. 6
 PROJECT: ORCA DESIGNER: BRD FILE NAME: 161004a FILE DATE: 8-Dec-00 NO.SHEETS: 7

- VCOTOP SHIELD VCO TOP
- VCOBOT SHIELD BOTM VCO
- GND
- 1B2
- 1B4
- 1B5
- 2A4
- 3A4
- 4U6
- 5L2
- 7C3

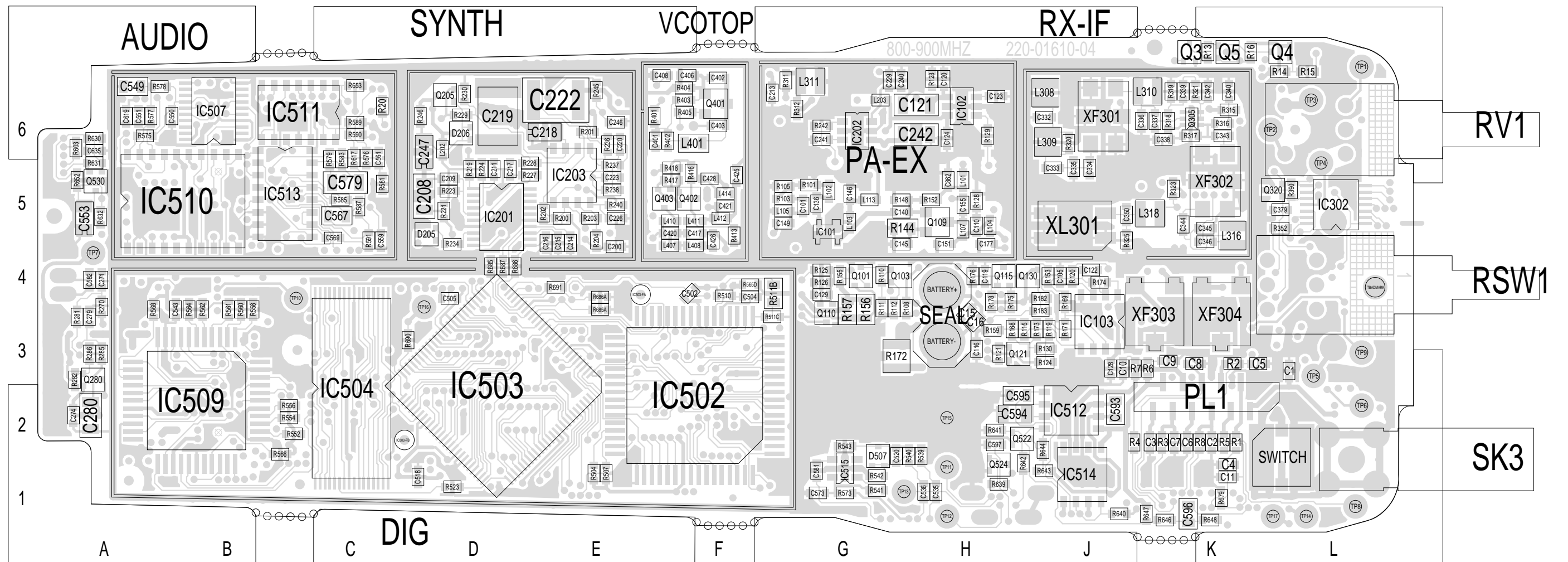


+14V Regulator (placed in the processor area)



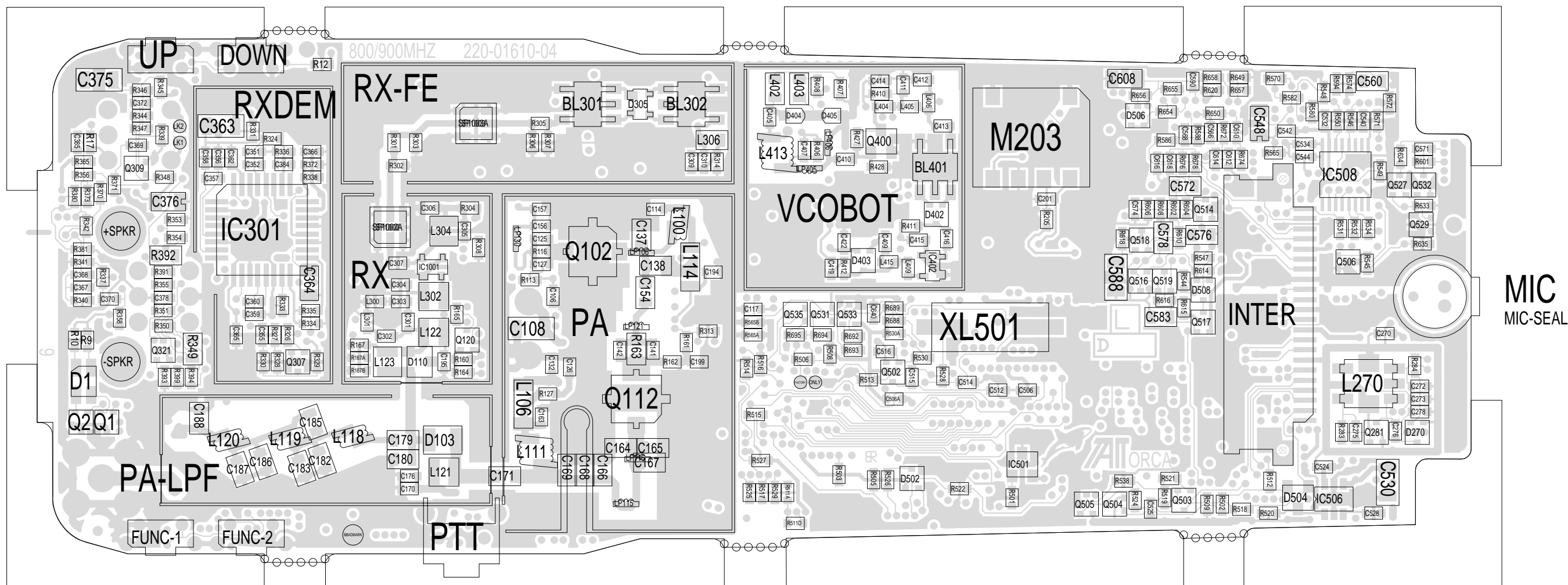
© TAIT ELECTRONICS	
ORCA TOP:800/900MHZ +14V REGULATOR	
IPN: 220-01610-04	ISSUE: A 2.SC. 7
PROJECT: ORCA	DESIGNER: BRD FILE NAME: 161004a FILE DATE: 8-Dec-00 NO.SHEETS: 7

03B	VALUE CHANGES CCO. 1610-005	BRD	SP	CK	DW	02/11/99
REV/ISS	AMENDMENTS	DRAWN	CHKD	D.O.	APVD	DATE



TAIT ELECTRONICS IPN: 220-01610-04 ISS: A ID: 1.TA DATE: 14 Dec 2000
 800-900MHZ PCB LAYOUT - TOP SIDE

Scale: 2.3:1 ; Rotation: 0 degrees



TAIT ELECTRONICS	IPN: 220-01610-04	ISS: A	ID: 6.BA	DATE: 14 Dec 2000
800-900MHZ PCB LAYOUT - BOTTOM SIDE				